



UV Sensor Probe

Model: APF-UVx-1y

General features:

- Stable high temperature operation
- Single power supply
- Analog 0-5 V or 4-20 mA output
- High sensitivity and proved reliability

Applications: Radiant intensity measurement for UV curing, UV sterilization monitoring

Specifications:

General parameters					
Dimensions	Probe tip diameter (mm)	Optical fiber length (mm)	Weight (g)	Amplifier circuit case body	Quartz fiber tip
See drawing below	9	260	280	Al	304
Parameters	Symbol	Value	Unit	Remark	
Maximum ratings					
Operation temperature ¹	T _{op1}	-20-250	°C	Quartz fiber probe tip	
Operation temperature ²	T _{op2}	-20-80	°C	Amplifier circuit case	

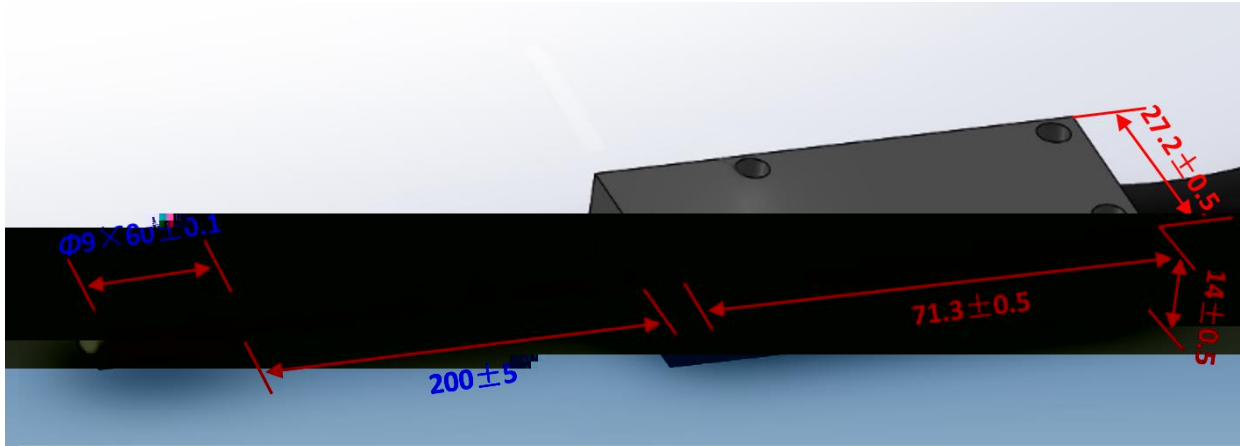
Electro-optical



UV Sensor Probe

Model: APF-UVx-1y

Drawing (unit: mm)



Touchscreen UV radiometer (optional)

- Fully compatible with all GaNo Opto s UV sensor probes
- Real time display of UV power density, UV source accumulated service time and UV source output efficiency
- System settings for UV output calibration, timer reset, operation status cartoon, threshold of failure alarm and initial 100% output efficiency normalization
- One channel input and 24 V power supply
- Customized Chinese and English versions



Lite-edition UV radiometer (optional)

- Fully compatible with all GaNo Opto s UV sensor probes
- 5 digital real time display of UV power density
- Pre-calibration or re-calibration for specific UV light source upon request
- Optional RS-485 or relay output
- One channel input and 9-24 V power supply

