



-

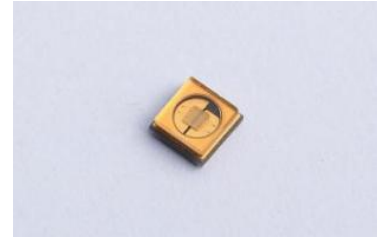
:

-

-3535 C

F :

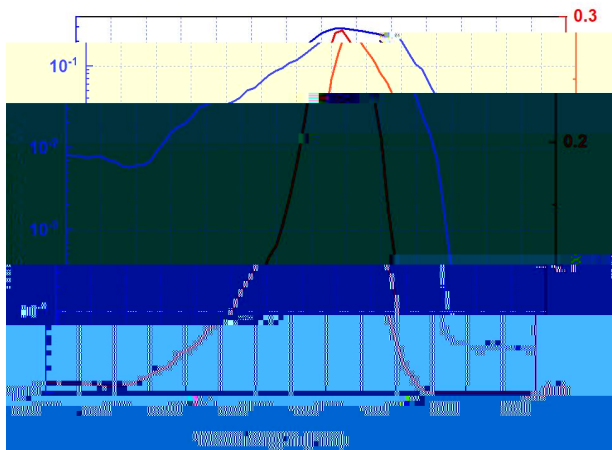
-
-
-
-



A :

:

(25 C)			
(25 C)			

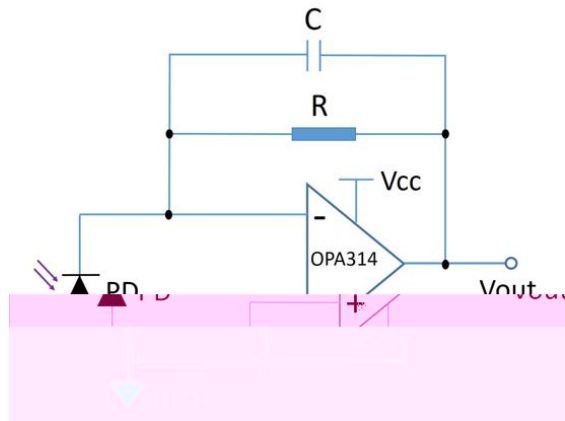


27.045

27.045



A



$$V_{out}(V) = I_{ph}(A) \times R(\Omega)$$

$$I_{ph}(A) = R_{\lambda}(A/W) \times A(\text{cm}^2) \times P(W/\text{cm}^2)$$

where A is chip area, Φ is UV power density and R_{λ} is responsivity at specific wavelength

E

