

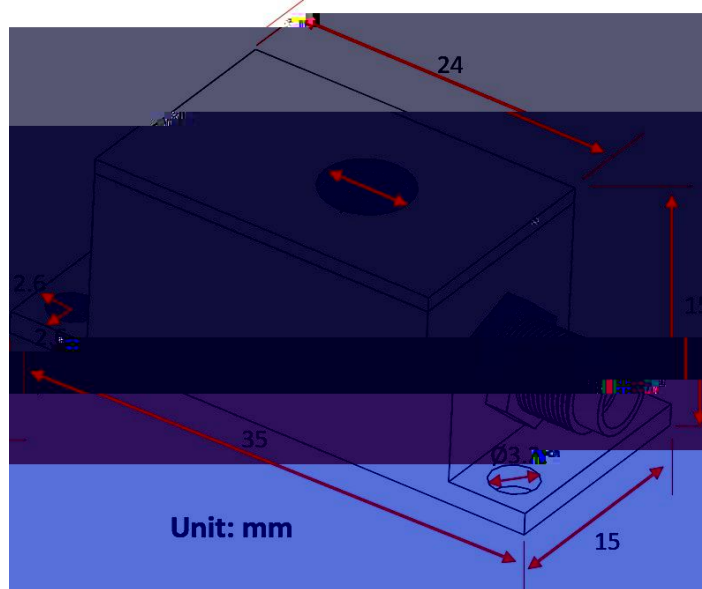


- 
- 
- 
- 
- 

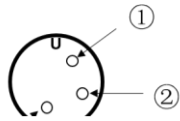


**W W W**

W



Analog Plug



Connector View  
3 pin M5\*0.5  
Pin ① = power supply

### Wiring Connections

